

OVERVIEW

The Rainfall Spa™ showerhead features a 360° ball-joint swivel for easy adjustment. The large 8" showerhead provides a wide, full-body spray pattern which gives the user a soothing rain shower experience. Available in three finishes, the Rainfall Spa is suitable for any design scheme.

KEY FEATURES

- Sleek, modern design with large 8" diameter face plate
- Powerful spray provides more waer at low pressure
- Soft rubber nozzles allow for easy cleaning
- 360° ball-joint swivel for easy adjustment
- Installs easily to an existing shower arm without tools



FINISHES



Chrome Matte Black Brushed Nickel

MODEL #	FINISH	FLOW RATE
N9517CH	Chrome	1.75 GPM
N9517MB	Matte Black	1.75 GPM
N9520BN	Brushed Nickel	2.0 GPM
N9520CH	Chrome	2.0 GPM

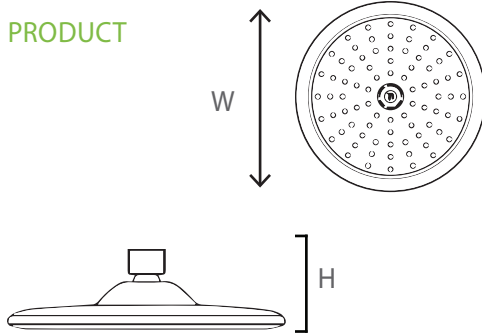


POTENTIAL ANNUAL SAVINGS

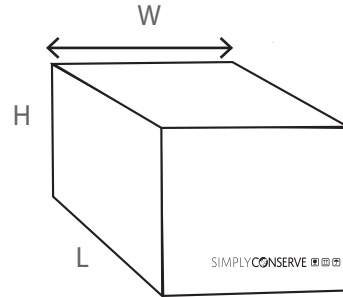
	FLOW RATE	WATER	ELECTRIC HEATING	GAS HEATING
DOLLAR SAVINGS	1.75 GPM	\$54	\$96	\$55
UTILITY SAVINGS	1.75 GPM	6,570 gallons	854 kWh	48 therms
DOLLAR SAVINGS	2.0 GPM	\$44	\$107	\$26
UTILITY SAVINGS	2.0 GPM	5,475 gallons	803 kWh	27 therms

DIMENSIONS

PRODUCT




CASE



CATALOG #	W	H
N9517CH	8"	2.3"
N9517MB	8"	2.3"
N9520BN	8"	2.3"
N9520CH	8"	2.3"

CATALOG #	L	W	H	CASE QTY	GROSS WT
N9517CH	26"	9.3"	9.1"	10	9.25 lbs
N9517MB	26"	17.0"	9.1"	20	18.1 lbs
N9520BN	26"	9.3"	9.1"	10	9.25 lbs
N9520CH	26"	9.3"	9.1"	10	9.25 lbs

ACCESSORIES

IMAGE	CATALOG #	DESCRIPTION
	SH-ARM-MB	6" 304 Stainless Steel Shower Arm and Escutcheon Plate with Matte Black Finish

*Factors in calculating savings potential:

- 3-person households each using a shower 9 minutes per day, 365 days per year (AWWARF Residential Study)
- Comparing water use with these showerheads vs. a standard 2.5 GPM unit
- US city average water and sewer cost of \$8.3 per 1,000 gallons (study done by NUS Consulting Group 2011)
- Average cost of electricity 0.113¢ per kWh (Energy Star Nov. 2013 Lightbulb Calculator)
- Average cost of gas \$1.137 per therm (Bureau of Labor Statistics April 2014)
- Calculations done by energy.gov

10-Year Limited Warranty



AM Conservation guarantees to the original purchaser or recipient of a showerhead that it is free from defects in material and workmanship for a period of 10 years. AM Conservation will at our choice replace any part of the showerhead which is in our opinion defective provided that the product has not been abused, misused, altered, or damaged after its purchase. This includes damage due to the use of tools or harsh chemicals. In the event a product has been discontinued, AM Conservation will replace it with what we determine to be the closest product. AM Conservation is not responsible for labor charges, installation, or other consequential cost. AM Conservation's responsibility shall not exceed the original cost of the product.

For warranty claims, please contact:

customercare@amconservation.com

To learn more, please visit:

www.amconservation.com